



endace
a c c e l e r a t e d

Time Distribution Server

User Guide – EDM05-01



Protection Against Harmful Interference

When present on equipment this manual pertains to, the statement "This device complies with part 15 of the FCC rules" specifies the equipment has been tested and found to comply with the limits for a Class A digital device, pursuant to Part 15 of the Federal Communications Commission [FCC] Rules.

These limits are designed to provide reasonable protection against harmful interference when the equipment is operated in a commercial environment.

This equipment generates, uses, and can radiate radio frequency energy and, if not installed and used in accordance with the instruction manual, may cause harmful interference to radio communications.

Operation of this equipment in a residential area is likely to cause harmful interference in which case the user will be required to correct the interference at their own expense.

Extra Components and Materials

The product that this manual pertains to may include extra components and materials that are not essential to its basic operation, but are necessary to ensure compliance to the product standards required by the United States Federal Communications Commission, and the European EMC Directive. Modification or removal of these components and/or materials, is liable to cause non compliance to these standards, and in doing so invalidate the user's right to operate this equipment in a Class A industrial environment.

Disclaimer

Whilst every effort has been made to ensure accuracy, neither Endace Limited nor any employee of the company, shall be liable on any ground whatsoever to any party in respect of decisions or actions they may make as a result of using this information.

Endace Limited has taken great effort to verify the accuracy of this manual, but assumes no responsibility for any technical inaccuracies or typographical errors.

In accordance with the Endace Limited policy of continuing development, design and specifications are subject to change without notice.

Published by:

Endace Technology Limited
Building 7
Lambie Drive
PO Box 76802
Manukau City 1702
New Zealand

Phone: +64 9 262 7260
Fax: +64 9 262 7261
support@endace.com
www.endace.com

International Locations

New Zealand
Endace Technology® Ltd
Level 9
85 Alexandra Street
PO Box 19246
Hamilton 2001
New Zealand
Phone: +64 7 839 0540
Fax: +64 7 839 054

Americas
Endace USA® Ltd
Suite 220
11495 Sunset Hill Road
Reston
Virginia 20190
United States of America
Phone: +1 703 382 0155
Fax: +1 703 382 0155

Europe, Middle East & Africa
Endace Europe® Ltd
Sheraton House
Castle Park
Cambridge CB3 0AX
United Kingdom
Phone: +44 1223 370 176
Fax: +44 1223 370 040

Copyright 2004 - 2007 Endace Technology Ltd. All rights reserved.

No part of this publication may be reproduced, stored in a retrieval system, or transmitted, in any form or by any means electronic, mechanical, photocopying, recording, or otherwise, without the prior written permission of the publisher.

Contents

Chapter 1: Introduction	1
Overview	1
Operation	1
Operation (cont.)	2
TDS2 Description	2
Expansion	3
Minimum Requirements	3
Accessories	4
Chapter 2: Installation	5
Overview	5
Connecting the Power Source	5
Connecting to a Time Reference Source	5
Connecting to a DAG Card	6
Connecting to a PC	6
Chapter 3: Using the TDS6 Expansion Unit	7
Overview	7
Installation	8
Adding Additional TDS6 Expansion Units	8
Appendix A: TDS2 Module Connector Specifications	9
RS422 RJ45 Timing Signal Outputs	9
RS232 DB9 CDMA Input	9
RS422 DB9 GPS Input	9
RS232 Host PC Connection	10
RS422 Chain Output	10
DB25 to DB9 GPS Adapter Plug	10
Appendix B: TDS6 Expansion Unit Connector Specifications	11
RS422 RJ45 Timing Signal Output	11
RS422 Chain Connection	11
Version History	13

Chapter 1: Introduction

Overview

The Endace Time Distribution Server provides accurate synchronized time signals to DAG Cards for packet stamping using time signals from the GPS network. The Time Distribution Server system includes the following:

- TDS2 Time Distribution Server Module
- TDS6 Time Distribution Server Extension unit.

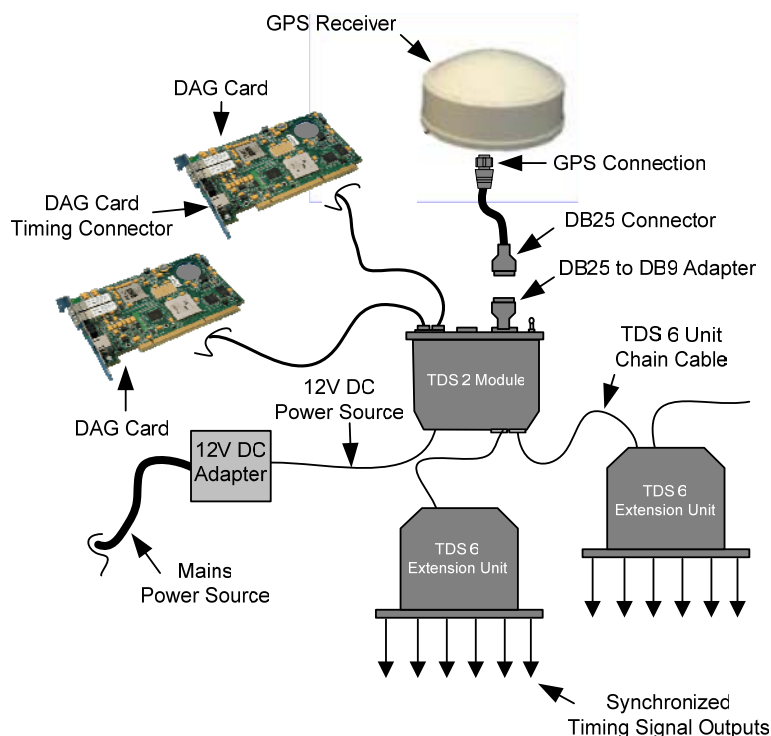
Operation

The Time Distribution Server system works by receiving time signals directly from either a GPS or CDMA receiver.

GPS receivers receive and collate accurate time synchronization information which is constantly transmitted by GPS satellites as they orbit the Earth. GPS receivers can be mounted on the tops or sides of buildings or anywhere there is a clear and unobstructed view of the sky. However in some circumstances where it is not practical to run cable to an externally mounted GPS receiver, time reference signals from a CDMA cellular network may be used instead. CDMA base stations use a GPS receiver to collate the time synchronization information transmitted by satellites. That information is then retransmitted from the CDMA base station to CDMA receivers. However because this information is transmitted at a lower frequency it can often be received inside buildings without using an external antenna.

When a TDS2 Server receives a time reference signal from a GPS or CDMA receiver it relays it by cable to either a DAG card via the time synchronization socket on the front bracket, a PC or a TDS6 Extension Unit.

A typical time Distribution Server system is shown below:



Operation (cont.)

TDS2 modules and TDS6 units require 12VDC either via an adapter connected to a mains power supply or directly from a 12VDC source.

To increase the capacity of the TDS2 Server you can connect up to four TDS6 Expansion Units (each with six time synchronization outputs) to it using the TDS6 chain cable.

TDS2 Description

Features

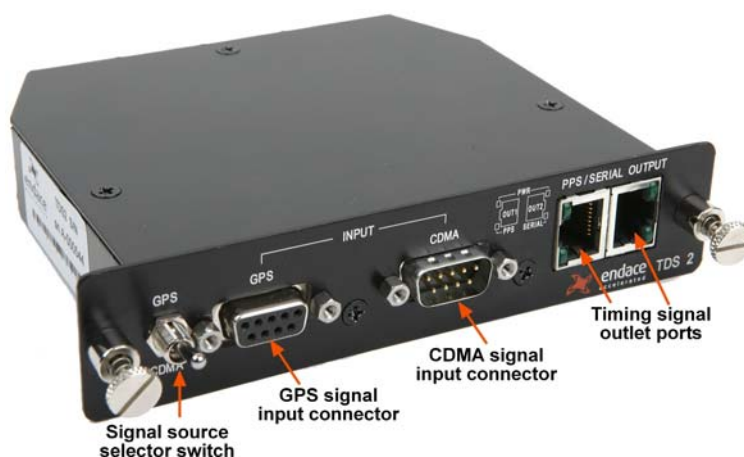
The TDS2 Server Module is fitted with cable ports and connectors to receive precise time signals, replicate those signals and then send them to up to two DAG cards. The TDS2 module includes the following features:

- GPS input from Trimble Acutime 2000 GPS receiver. Signal type is RS422.
- CDMA input from Endrun technologies Praecis Ct CDMA time receiver. Signal type is RS232.
- PC connection for monitoring timing signals and to provide network services via NTP.
- Two outputs for connecting up to two DAG cards.
- Chain out to enable connections of TDS6 modules to provide signal outputs for additional DAG cards, from just one external time reference.
- Status LED indicators.
- Accepts 12VDC from an external power source.
- Supplies DC power to GPS receiver.

Warning: For convenience the TDS2 Server Module is designed to use standard Ethernet cables and connectors. However the signal types used are different to and not compatible with Ethernet. You should never connect the TDS2 or associated equipment to active Ethernet equipment such as hubs, routers or NICs.

Front Panel

The TDS2 Server Module front panel is shown below:

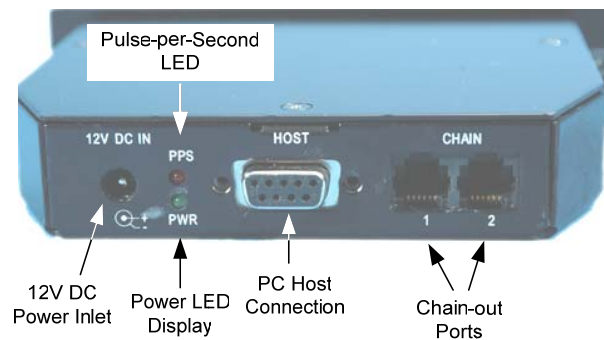


The time synchronization outputs use RJ45 connectors and can be connected to the time synchronization sockets on the front bracket of a DAG card using standard Ethernet cables and patch equipment.

Note: When DC power is provided to the module, the Power LED illuminates.

Rear Panel

The TDS2 Server Module rear panel is shown below:



Expansion

If additional time synchronization outputs are required you can expand the capacity of the server module by adding TDS6 Expansion units. One TDS2 Server Module with the maximum number of TDS6 Expansion Units provides 26 time synchronization outputs (six on each TDS6 Unit and two on the TDS2 Module) all derived from a single external time synchronization source.

The TDS6 time synchronization outputs use RJ45 connectors and can be connected to the time synchronization sockets on the front bracket of a DAG card using standard Ethernet cables and patch equipment.

Minimum Requirements

General

The TDS2 Server Module minimum equipment requirements are:

- 12VDC to rear panel. Typical power consumption is 2 watts.
- One of the following external time reference sources:
 - GPS input from Trimble Acutime 2000 GPS Time Receiver, signal type RS422
 - CDMA input from Endrun Technologies Praecis Ct CDMA time receiver, signal type RS232
- Standard Ethernet type RJ45-RJ45 cabling for connecting to DAG cards.

The timing signal ports use RJ45 connectors. These can be connected to a DAG card using normal Ethernet type Cat5/6 cable and infrastructure using straight-through type only.

Note: Never connect the TDS2 Server module or TDS6 Expansion Units directly to active Ethernet equipment.

Trimble Acutime 2000

The Trimble Acutime 2000 GPS receiver can be purchased as part of the Acutime 2000 Synchronization Kit - Trimble part number 40986-00. The kit includes integrated antenna/receiver, 100ft cable, power supply and signal converter. However, only the antenna/receiver and cable are needed for use with the TDS2 Server Module.

Praecis Ct CDMA

The Praecis Ct CDMA time receiver is available directly from Endrun Technologies Ltd. To use this receiver there must be a CDMA network available with good signal at the intended installation site. The signal may be checked using a CDMA cellular phone in digital mode.

Accessories

An Endace DB9 to DB25 adapter to connect the TDS2 Module to a Trimble Acutime 2000 receiver is supplied with all TDS2 Modules.

Note: Use only the supplied adapter for this connection. The wiring is different to standard DB9-DB25 adapters available for RS232 communications.

In addition the following optional equipment is available:

- 12VDC power adapter
- 19 inch 1U rack-mount kit
- Endace TDS6 Expansion Unit.

Chapter 2: Installation

Overview

Installing the TDS2 Server Module involves the following steps:

- Connecting the TDS2 Server Module to a suitable power source
- Connecting the TDS2 Server Module to a CDMA or GPS time signal source
- Connecting to TDS2 Server Module applications

Connecting the Power Source

The TDS2 Server Module can function with alternative power sources. It may be connected either to a mains source using the supplied AC-DC adapter, or directly to a DC power source.

Mains Source

Follow the steps below to connect the TDS2 Module to a mains power source:

- Connect the TR36A12 AC/DC adapter to a mains power source via a suitable IEC 32/C8 cable.
- Connect the TR36A12 AC/DC adapter to the connector on the TDS2 Module back panel.

12VDC Source

Note: There is a polarity indicator directly below the 12V connector on the rear panel of the TDS2 Module. The TDS2 has an internal reverse polarity protection diode but does not have fuse protection.

Follow the steps below to connect the TDS2 Module to a mains power source:

- Fit a 2.5mm DC coaxial plug to one end of a suitable length of power cable.
- Connect the coax connector to the 12V connector on the rear panel of the TDS2 Module and connect the other end to the 12VDC source.

Caution: If you are connecting the TDS Module to an unprotected power source you should use an external 2A fuse.

Connecting to a Time Reference Source

CDMA

Follow the steps below to connect the TDS2 Module to a CDMA time source:

- Using the adapter supplied with the CDMA receiver, connect the receiver to the CDMA connector on the front panel of the TDS module using RJ45 cable. If you use any other adapter you will cause damage to the unit.
- Set the Signal Source switch on the front panel of the TDS2 Module to CDMA.
- When the CDMA receiver locks onto the network, the PPS LED on the receiver will flash to indicate it is receiving a signal. The PPS LED on the TDS2 Module will also flash.

GPS

Follow the steps below to connect the TDS2 Module to a GPS time source:

- Use the adapter, supplied with the TDS2 module, to connect the GPS receiver to the GPS connector on the front panel of the TDS2 Module. A cable is supplied with the GPS receiver. The TDS2 Module automatically supplies DC power via this cable to the antenna.
- Set the Signal Source switch on the front panel of the TDS2 Module to GPS.
- After a 5-15 minute delay for the GPS receiver to lock onto the satellites the PPS LED on the TDS2 Module will flash to indicate it is receiving a timing signal.
- The Serial Led will also flash to indicate time information packets are present.

If for any reason you need to change the GPS settings you can do so by connecting a PC directly to the GPS receiver using the Trimble Synchronization Interface Module.

Connecting to a DAG Card

Once the TDS2 is connected to a time reference source and is fully functional you can connect it to a DAG card via the Time Synchronization socket on the front bracket of the DAG card.

Connecting to a PC

Once the TDS2 is connected to a time reference source and is fully functional you can connect it to a PC via the module's host connection. The PC then receives the PPS signal and SERIAL data packet.

If the signal is being generated by a CDMA receiver, you can view the packet on the PC using a standard terminal page. If the signal is being generated by a GPS, you will need to install a decoding software package such as that supplied with the Trimble Acutime 2000 Kit, to allow you to view the packet.

Connecting the TDS2 to a PC also allows you to provide a reference clock to the PC to operate an NTP server.

Follow the steps below to connect the TDS2 Module to a PC:

- Using a straight-through DB9M to DB9F serial cable, connect the TDS2 Module to the PC.
- Ensure the Signal Source switch on the front panel of the TDS2 Module is set to the correct source.

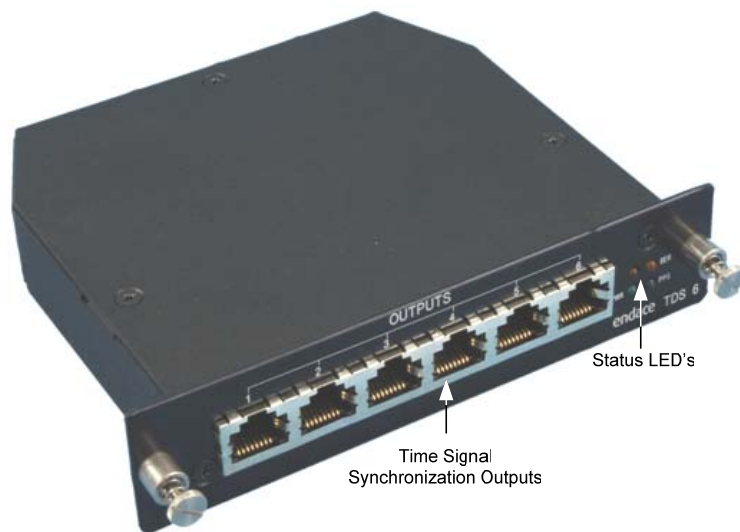
Chapter 3: Using the TDS6 Expansion Unit

Overview

Connecting a TDS2 Server Module to a TDS6 Expansion Unit increases the distribution of time synchronization signal to multiple DAG cards. The TDS6 Expansion unit provides six time signal synchronization outputs derived from a single TDS2 Module connection.

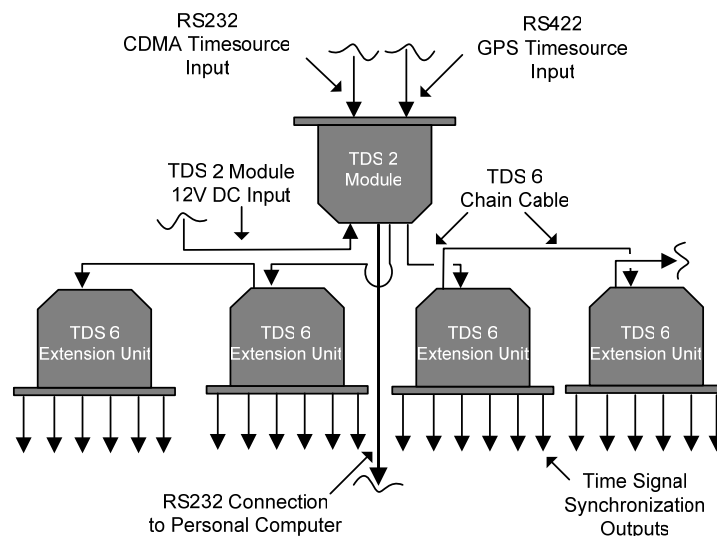
Each time synchronization output is independently driven. The TDS6 Units are powered by the TDS2 module through the chain cables.

A TDS6 Expansion Unit is shown below:



A TDS6 Expansion unit connects to the Chain output on the TDS2 Server Module. The synchronized time signals travel from the TDS2 Chain port to TDS6 expansion units through chain cables. The signals travel to DAG cards via the TDS6 Expansion unit synchronization outputs.

A typical TDS2 Server Module and TDS6 Expansion Unit configuration is shown below:



Installation

Follow the steps below to connect the TDS6 Expansion Unit to a TDS2 Server Module:

- Position the TDS6 Expansion Unit so that the chain cable easily reaches to the TDS2 Unit Chain port.
- Check the length of cable to the DAG card to ensure there is sufficient length between the TDS6 Expansion Unit and the card.
- Plug the chain cable into the TDS6 Chain 1 port.
- Plug the other end of the cable into a vacant TDS2 Server Module Chain port.
- Plug a cable into a vacant outlet on the TDS6 front panel and plug the other end into the time synchronization socket on a DAG card.
- Check the Power LED on the front of the TDS6 front panel is ON and the Status LEDs are flashing for PPS and Serial.

Note: If the LEDs are not flashing check the TDS2 module is powered and all connections are correct.

Adding Additional TDS6 Expansion Units

You can couple a number of TDS6 Expansion Units together like a daisy chain to extend time synchronization output to additional DAG cards.

If two TDS2 Server Module chain outputs are in use, with two TDS6 Expansion Units already connected, you can chain additional TDS6 units to the units already connected.

Follow the steps below to chain additional TDS6 Expansion Units:

- Position the TDS6 Expansion Unit so that the chain cable easily reaches to the TDS6 Expansion Unit Chain port.
- Check the length of cable to the intended destination to ensure there is sufficient length to reach the chained TDS6 Unit.
- Connect the supplied cable to a functioning TDS6 Unit Chain 2 outlet and connect the other end to the Chain 1 input on the new TDS6 Unit.
- Check the Power LED on the front of the new TDS6 front panel is ON and the Status LEDs are flashing for PPS and Serial.

Note: If the LEDs are not flashing check the TDS2 module is powered and all connections are correct.

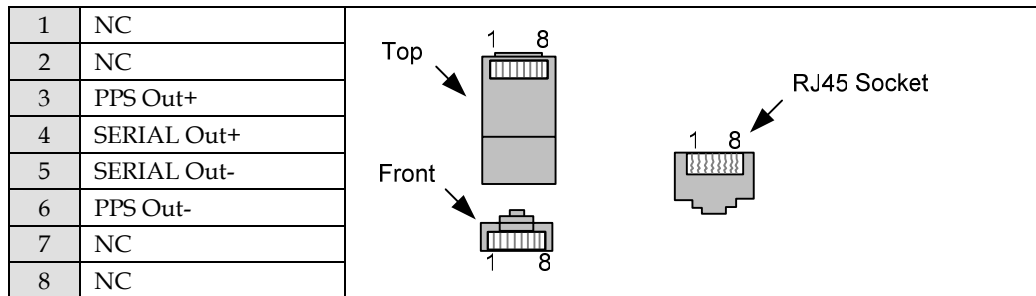
Appendix A:

TDS2 Module Connector Specifications

RS422 RJ45 Timing Signal Outputs

The TDS2 Server Module has two RJ45 socket outputs for connecting to a DAG card RS422 synchronization input port. The socket consists of 8 pins.

The pin-out configuration is shown below:



RS232 DB9 CDMA Input

The TDS2 Server Module has one male DB9 input for connecting the Endrun Technologies Praecis Ct CDMA time receiver using standard Ethernet cables.

The pin-out configuration is shown below:

1	PPS In
2	SERIAL In
3	Ext-Serial Out
4	NC
5	Ground
6	NC
7	CTS Out
8	NC
9	NC

Note: The “In” and “Out” destinations relate to TDS2 Modules and TDS6 Units.

RS422 DB9 GPS Input

The TDS2 Server Module has one female DB9 input for connecting the Trimble Acutime GPS Receiver.

The pin-out configuration is shown below:

1	Event Out+ (optional)
2	Event Out- (optional)
3	PPS In+
4	SERIAL In+
5	SERIAL In-
6	PPS In-
7	N/C
8	Ground
9	Power Out (12VDC)

RS232 Host PC Connection

A standard female DB9 on the TDS2 module enables connection to a host PC.

The pin-out configuration is shown below:

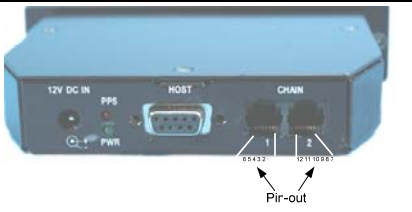
1	PPS Out
2	SERIAL Out
3	Ext-Serial In
4	CDMA Port Pin 4
5	GND
6	CDMA Port Pin 6
7	CTS In
8	CDMA Port Pin 8
9	CDMA Port Pin 9

RS422 Chain Output

A two-port six position, six-contact modular jack provides direct connection for up to two TDS6 modules.

The pin-out configuration is shown below:

1	GND	7	GND
2	PPS Out+	8	PPS Out+
3	SERIAL Out+	9	SERIAL Out+
4	SERIAL Out-	10	SERIAL Out-
5	PPS Out-	11	PPS Out-
6	Power Out (12VDC)	12	Power Out (12VDC)



DB25 to DB9 GPS Adapter Plug

The Endace supplied DB25 to DB9 GPS Adapter allows you to connect the Trimble Acutime GPS Receiver to a TDS2 module.

The pin-out configuration is shown below:

DB9 Male	Signal Name	DB25 Female
Shell	Shield Drain	Shell
1	Event+	12
2	Event-	24
3	PPS+	21
4	SERIAL+	22
5	SERIAL-	10
6	PPS-	9
7	N/C	-
8	GND	7
9	12VGPS	1

Appendix B:

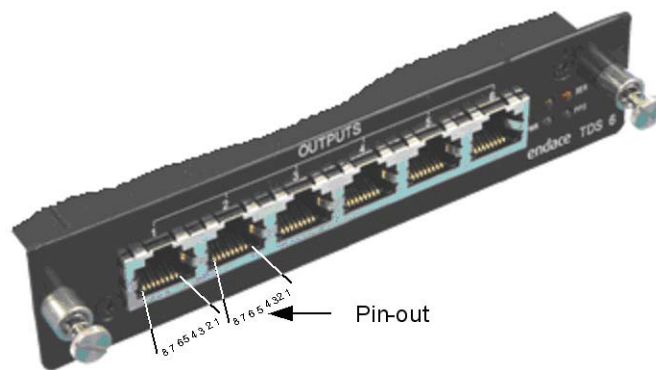
TDS6 Expansion Unit Connector Specifications

RS422 RJ45 Timing Signal Output

There are six RS422 RJ45 time synchronization outputs on the TDS Expansion unit front panel. Each RJ45 modular jack provides time synchronization outputs to the time synchronization input on the DAG card front bracket.

The pin-out configuration is shown below:

1	N/C
2	N/C
3	PPS Out+
4	SERIAL Out+
5	SERIAL Out-
6	PPS Out-
7	N/C
8	N/C



RS422 Chain Connection

A two-port, six position, six contact, modular jack on the TDS6 Expansion Unit facilitates chaining of additional TDS6 Units.

The pin-out configuration is shown below:

1	GND	7	GND	
2	PPS In+	8	PPS Out+	
3	SERIAL In+	9	SERIAL Out+	
4	SERIAL In-	10	SERIAL Out-	
5	PPS In-	11	PPS Out-	
6	12VDC Power In	12	12VDC Power Out	

Version History

Version	Date	Reason
1.8	August 2005	Previous version
2	June 2007	Updated photo of TDS. Updated text.
2.1	June 2007	Minor corrections
2.2	June 2007	Minor corrections

